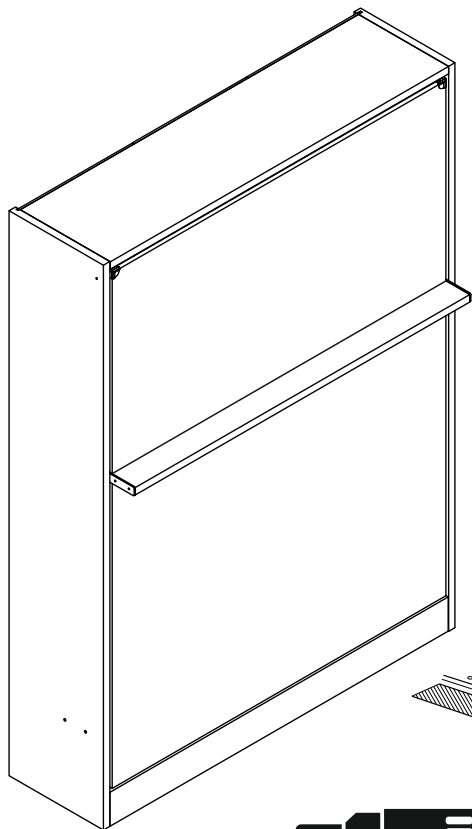




# MULTIMO

## 221 ROYAL QUEEN BED



**60** min.



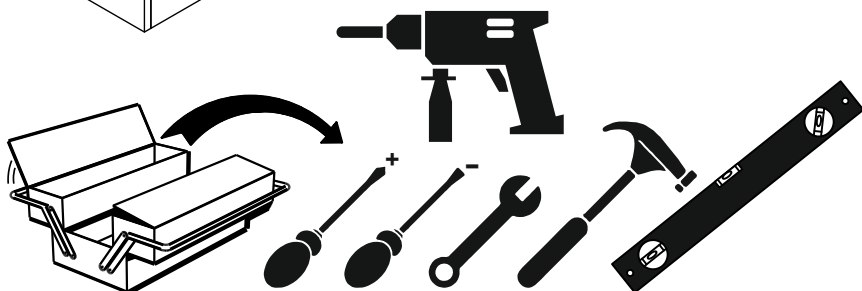
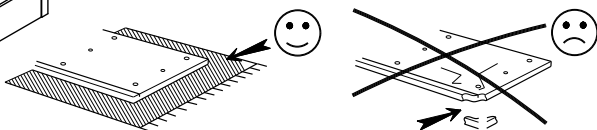
Technical Service



**120** min.



End User



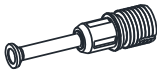


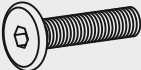
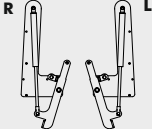
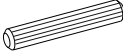

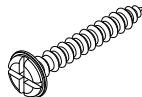

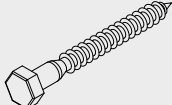
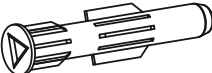

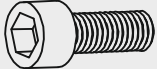
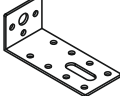


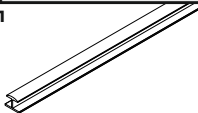

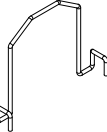




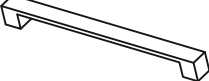
VIDEO

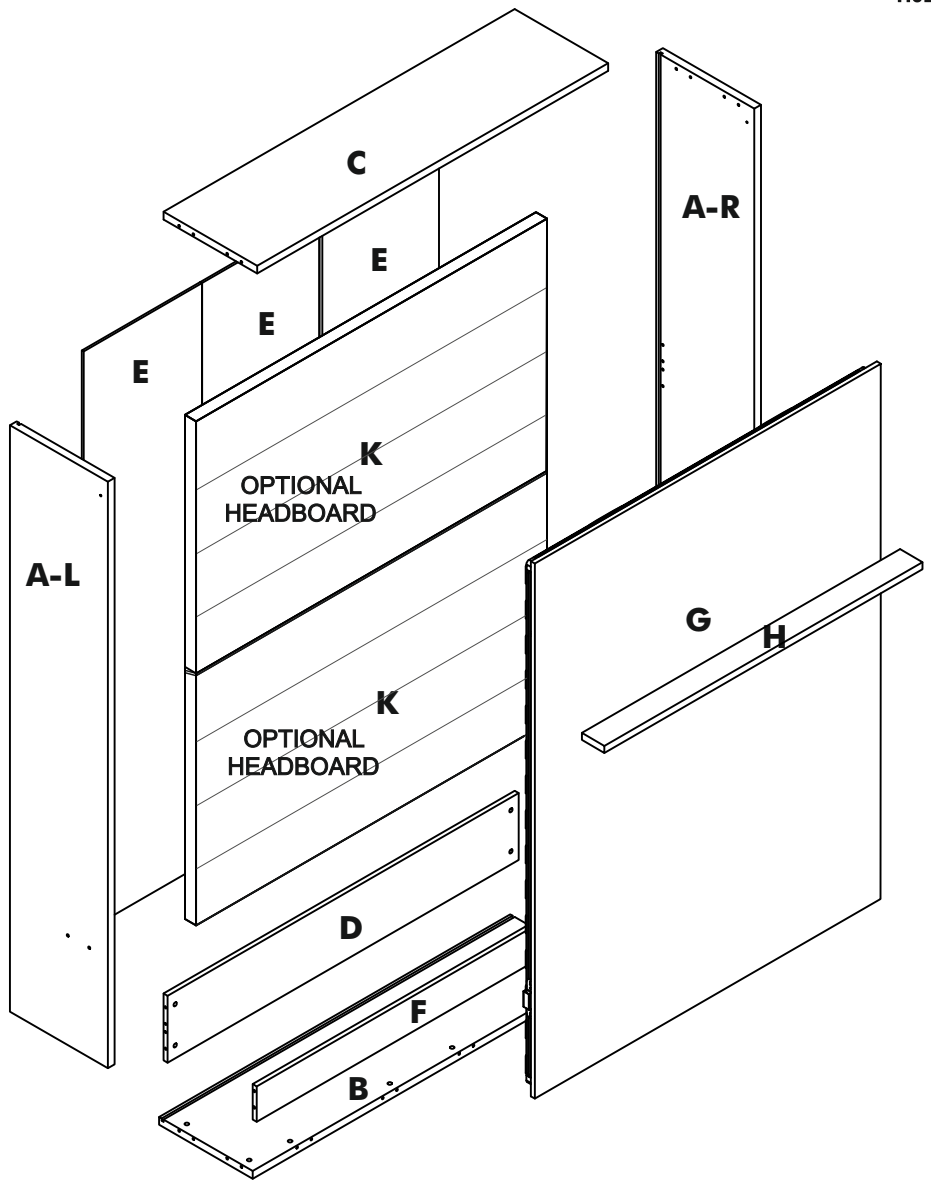


<https://youtu.be/WMEL2gCAftk>


Track Title	Piece	(inch)			(mm)			
		Thickness	Length	Width	Piece	Thick	Height	Most
<b>A</b>	2	1,18	89,76	17,32	2	30	2280	440
<b>B</b>	1	0,71	62,60	16,54	1	18	1590	420
<b>C</b>	1	1,18	62,60	16,50	1	30	1590	419
<b>D</b>	1	0,71	62,60	11,81	1	18	1590	300
<b>E</b>	3	0,31	89,25	21,02	3	8	2267	534
<b>F</b>	1	0,71	62,60	5,67	1	18	1590	144
<b>G</b>	1	0,71	81,89	61,57	1	18	2080	1564
<b>H</b>	1	1,18	61,73	4,33	1	30	1568	110
<b>K</b> (OPTIONAL HEADBOARD)	2	1,97	37,87	62,40	2	50	962	1585

## Accessories List

<b>MNX 02</b>  24 / piece	<b>MNG - 01</b>  24 / piece	<b>OT-054</b>  2 / piece	<b>CT - 01 ( 6x40 ) mm</b>  2 / piece
<b>MKZ - 03</b>  1 / piece	<b>KVL 01</b>  22 / piece	<b>VDA - 01 ( 6,5x50 ) mm</b>  4 / piece	<b>VD - 02 (3,5x25) mm</b>  30 / piece
<b>PL - 02 (8x22x1) mm</b>  3 / piece	<b>TFC - 01(8x70) mm</b>  3 / piece	<b>DD - 01 ( R10 )</b>  3 / piece	<b>VTB - 01 (4,8x16) mm</b>  12 / piece
<b>IM - 01 (6x30) mm</b>  6 / piece	<b>DSE - 01 (40x90x32) mm</b>  3 / piece	<b>TAP - 01</b>  24 / piece	<b>TAP - 02</b>  4 / piece
<b>H 01</b>  2 / piece	<b>VKP - 01 (22) mm</b>  4 / piece	<b>TTC 01</b>  4 / piece	<b>SC - 92</b>  2 / piece
<b>SG - 01</b>  2 / piece	<b>OT-056D</b>  2 / piece	<b>AVT - 01</b>  6 / piece	<b>KP - 01 ( 224 ) mm</b>  2 / piece

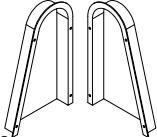


**VTB - 02 (4,2x16) mm**



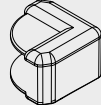
**8 / piece**

**KMT-01**



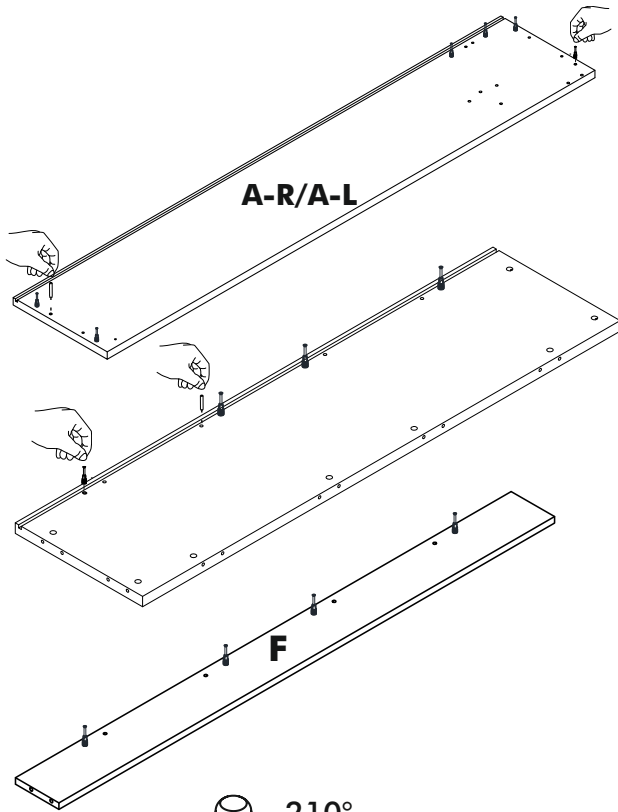
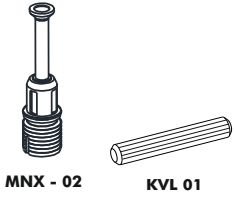
**1 / piece**

**KKS - 01**

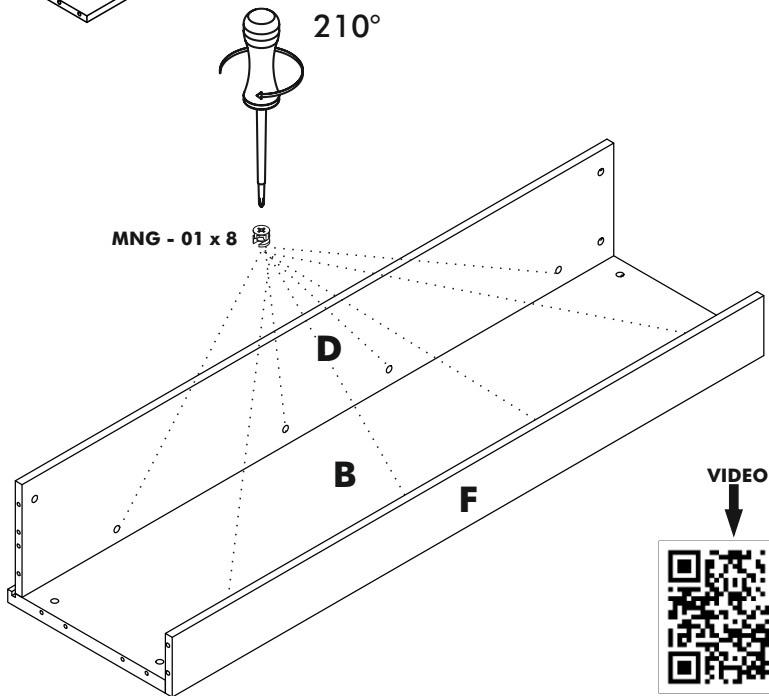


**2 / piece**

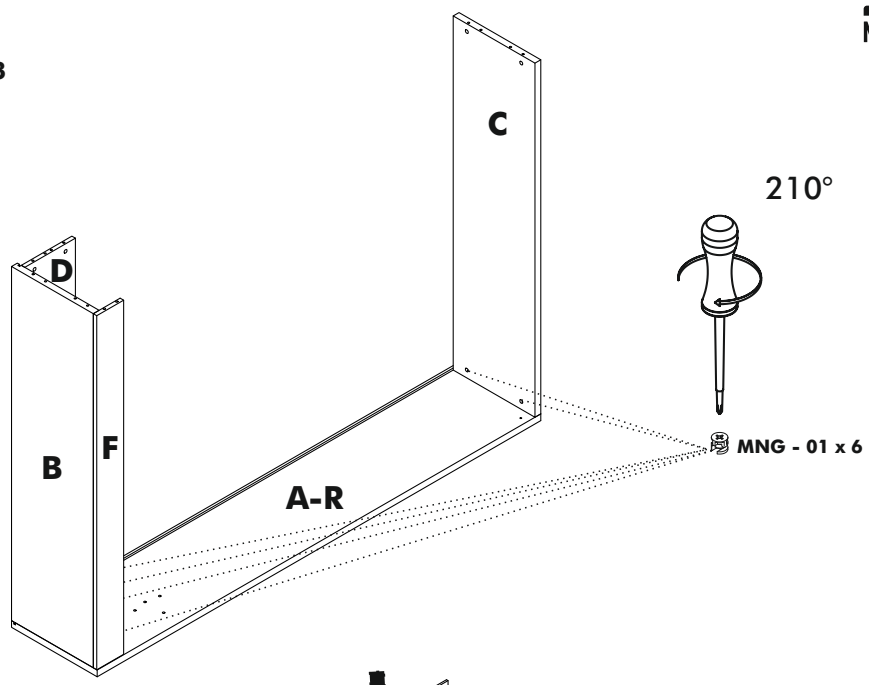
**STEP 1**



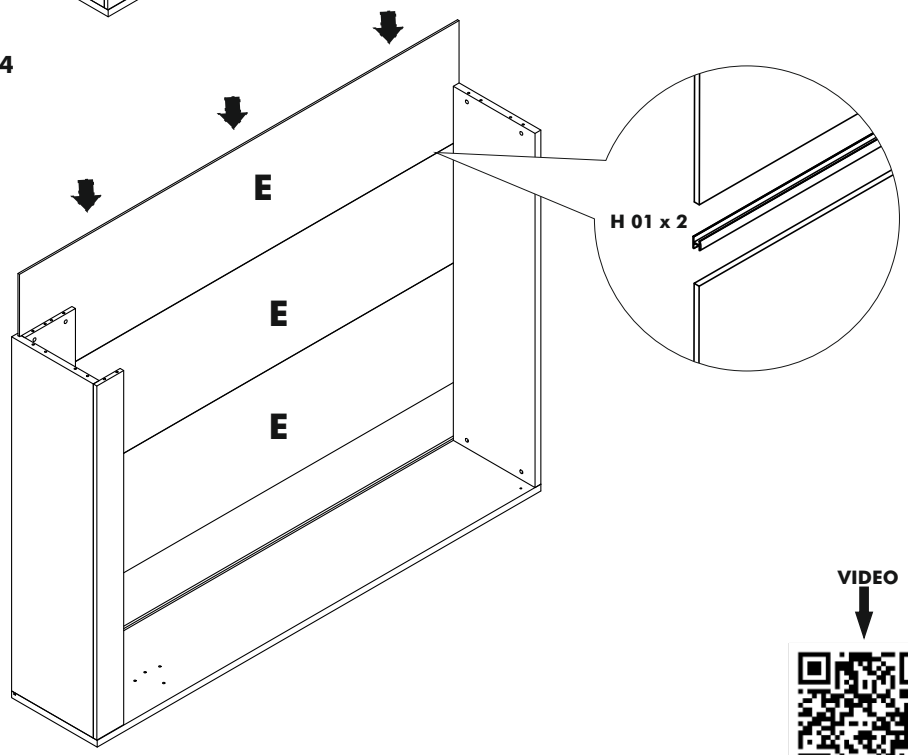
**STEP 2**



**STEP 3**



**STEP 4**

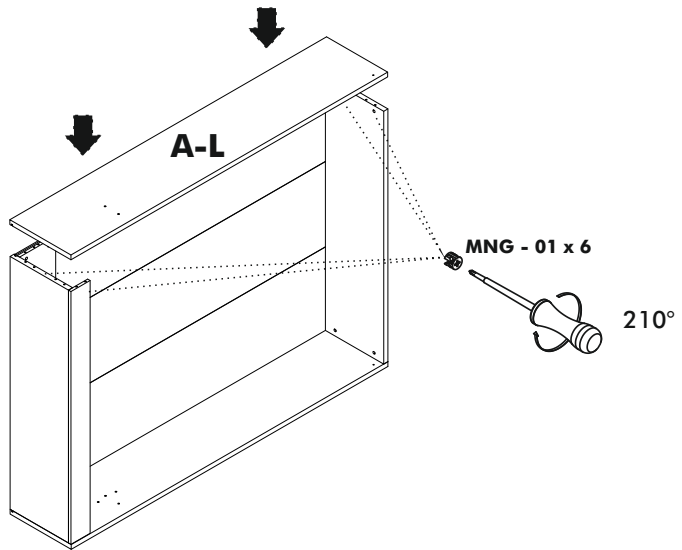


**VIDEO**

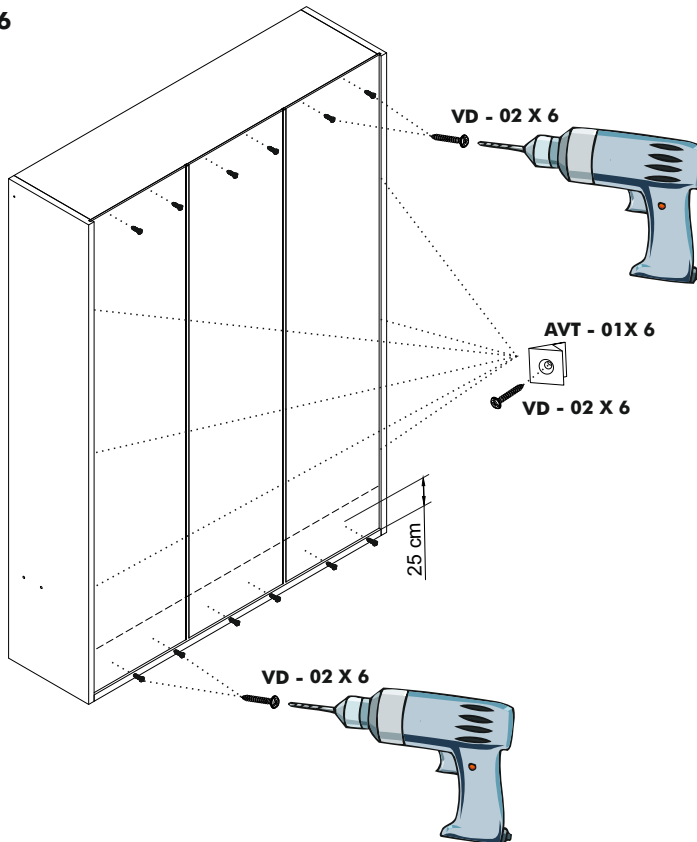


<https://youtu.be/dkg-8fclR0g>

**STEP 5**



**STEP 6**



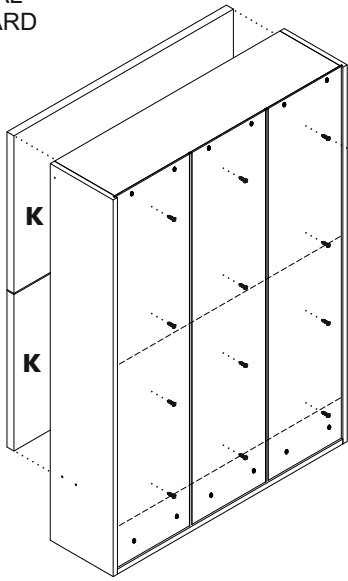
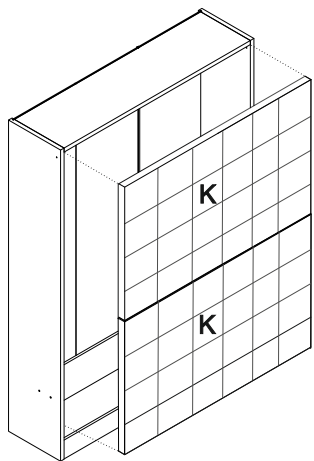
VIDEO



[https://youtu.be/kyW\\_FZa79Y0](https://youtu.be/kyW_FZa79Y0)

**STEP 7**

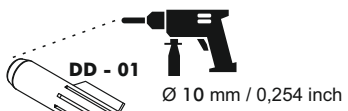
**OPTIONAL  
HEADBOARD**



**VD - 02x12**

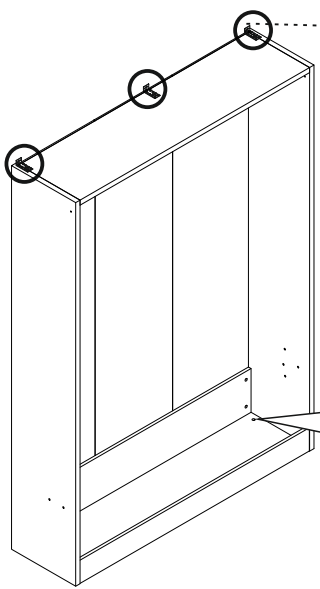


**STEP 8**



**DD - 01**

$\varnothing$  10 mm / 0,254 inch

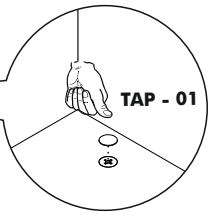


**TFC - 01**

**PL - 02**

**VTB - 01**

**DSE - 01**

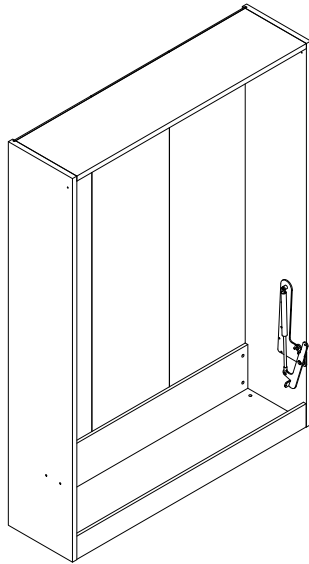


**TAP - 01**

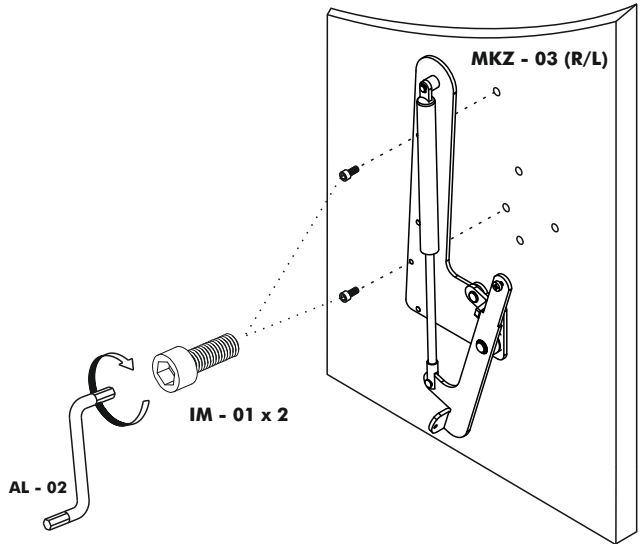
**VIDEO**



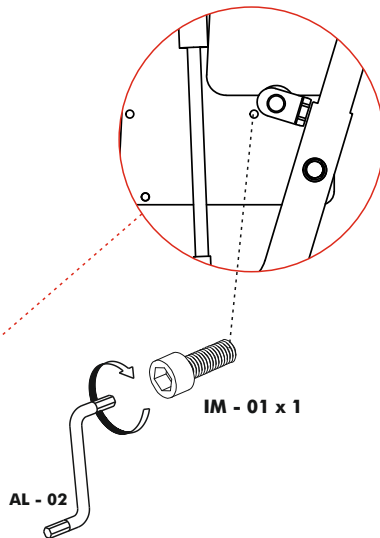
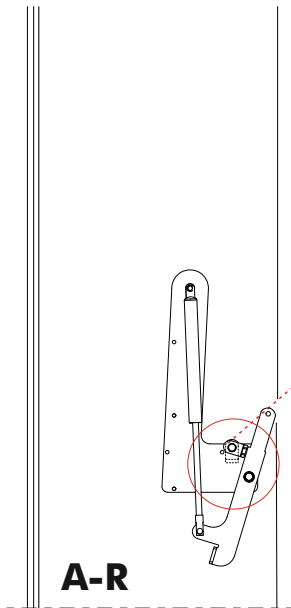
**STEP 9**



**CAUTION**  
**DO NOT UNLOCK BEFORE INSTALL**



**STEP 10**



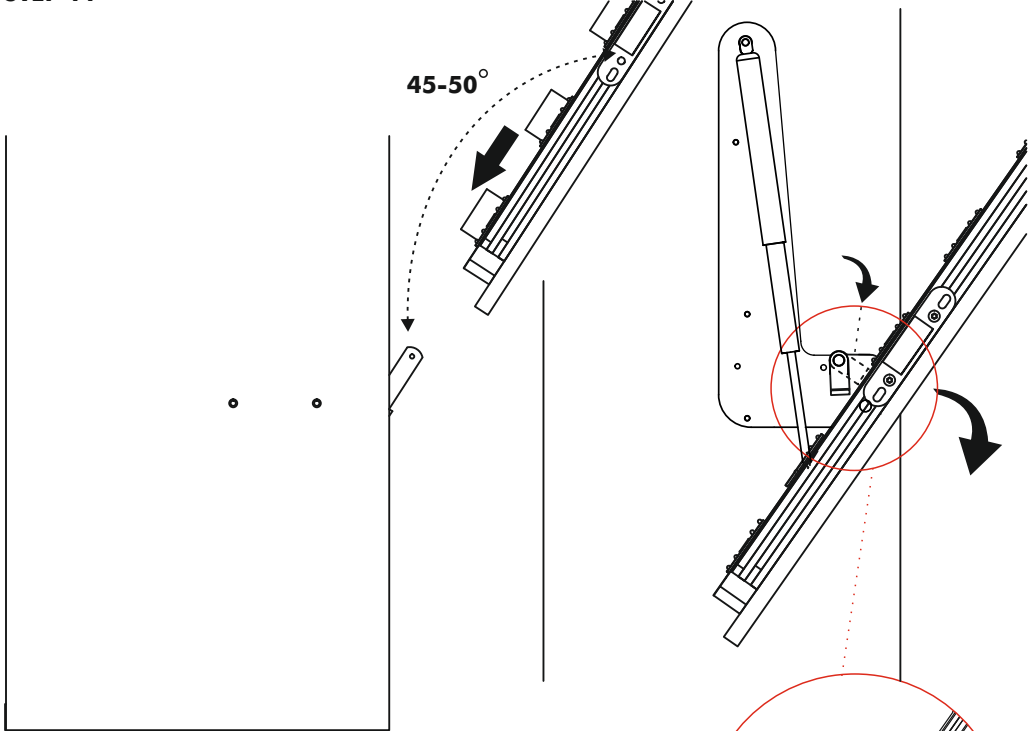
**VIDEO**



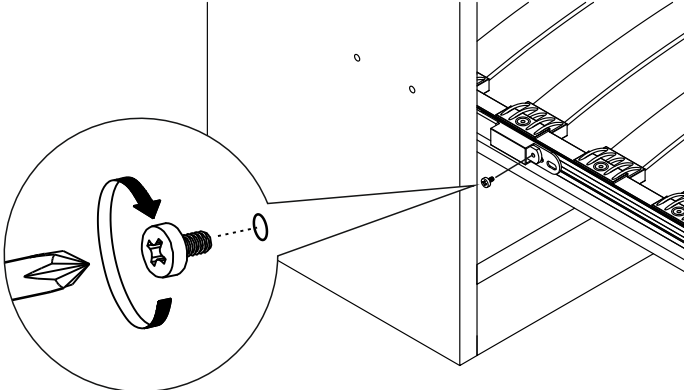
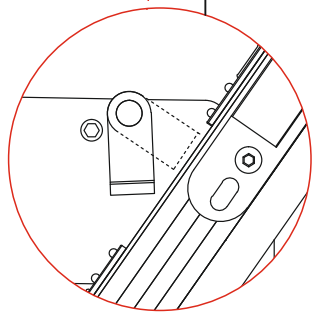
<https://youtu.be/qQxeaDBepss>



**STEP 11**



**KAPAK KAPATILMADAN KİLİDİ İNDİRİN !!!  
LET THE STOPPER LOCK MOVE DOWN !!!**

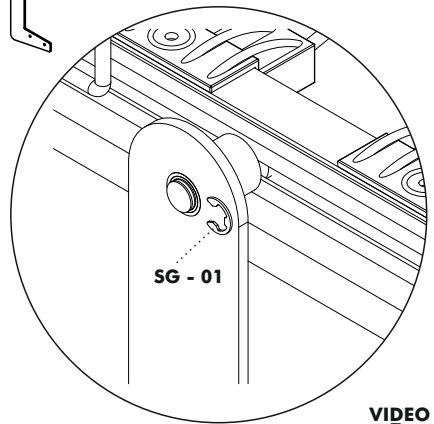
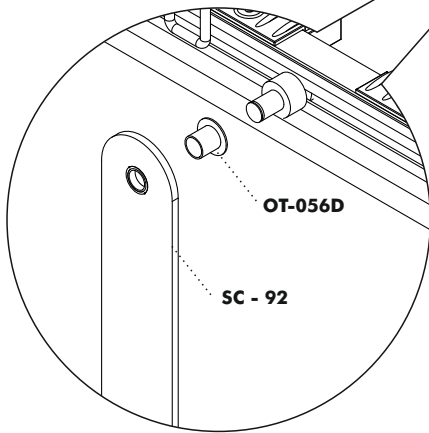
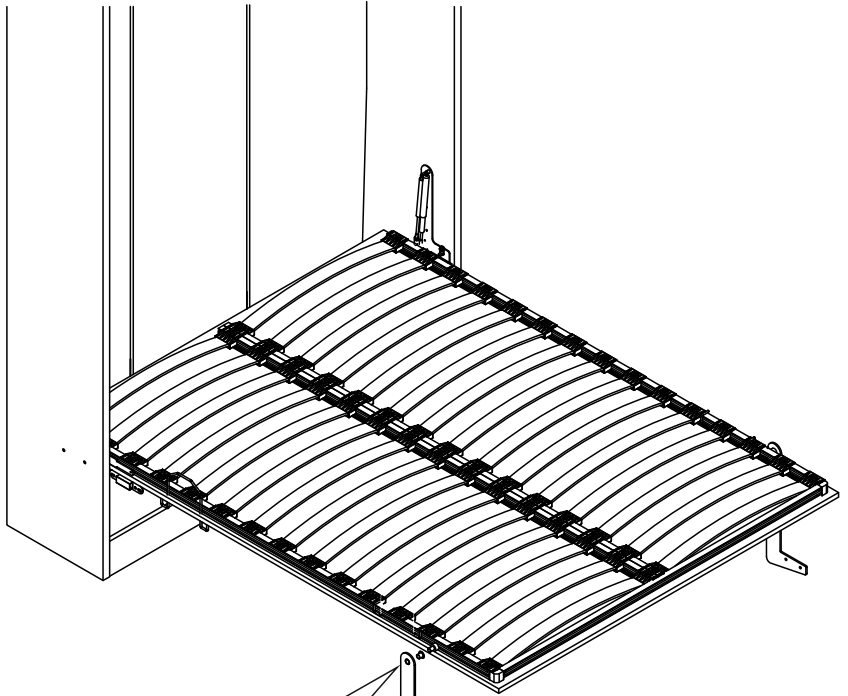


**VIDEO**



[https://youtu.be/8BM6\\_F9KOzM](https://youtu.be/8BM6_F9KOzM)

**STEP 12**

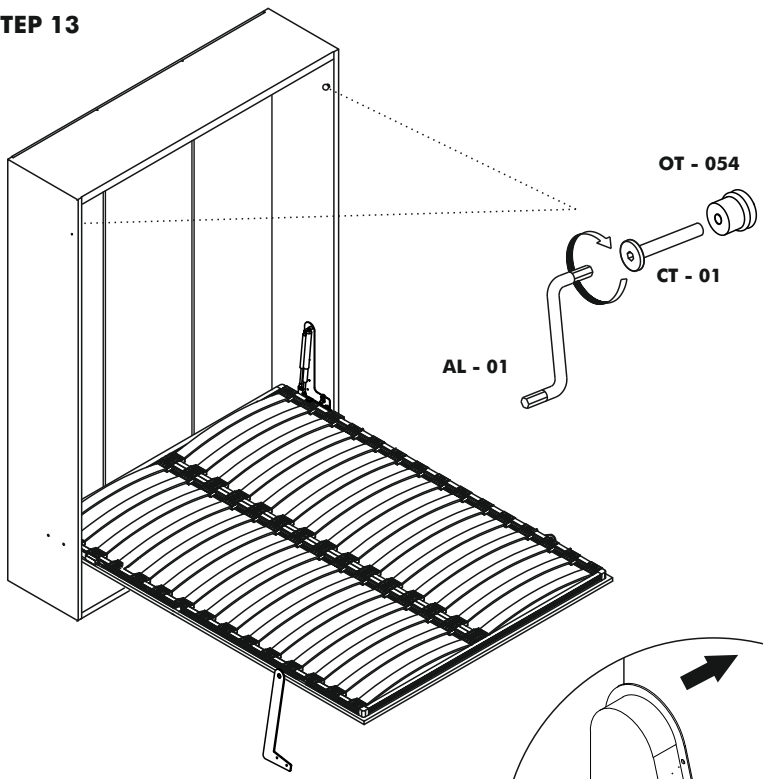


**VIDEO**

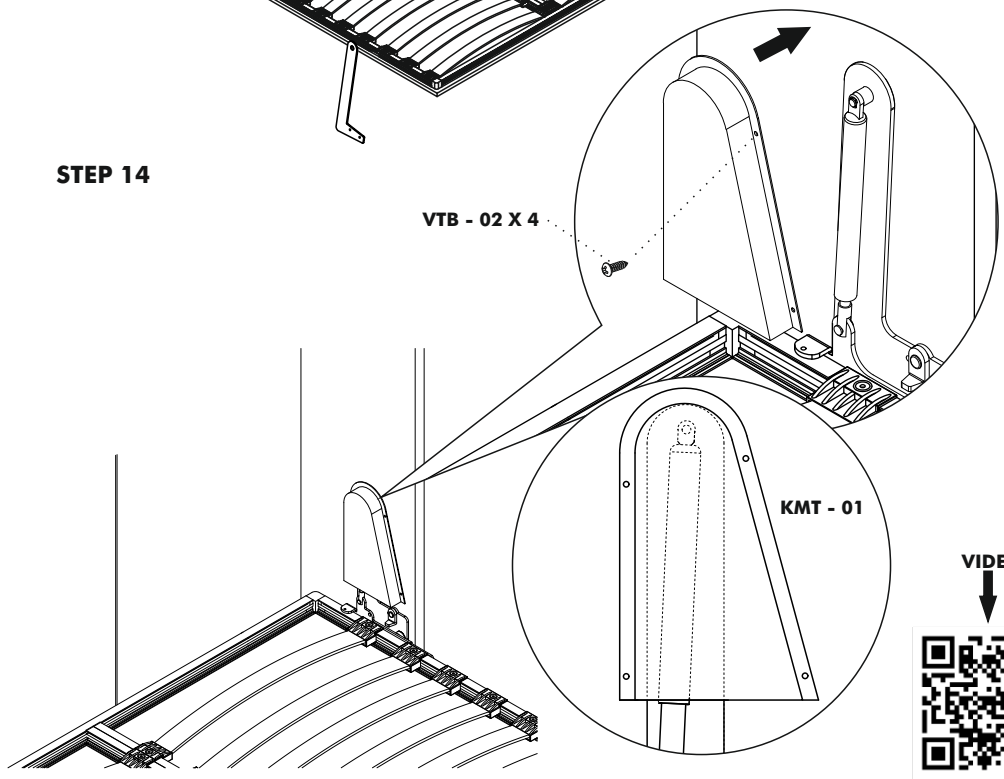


[https://youtu.be/N5hB6\\_j22Wc](https://youtu.be/N5hB6_j22Wc)

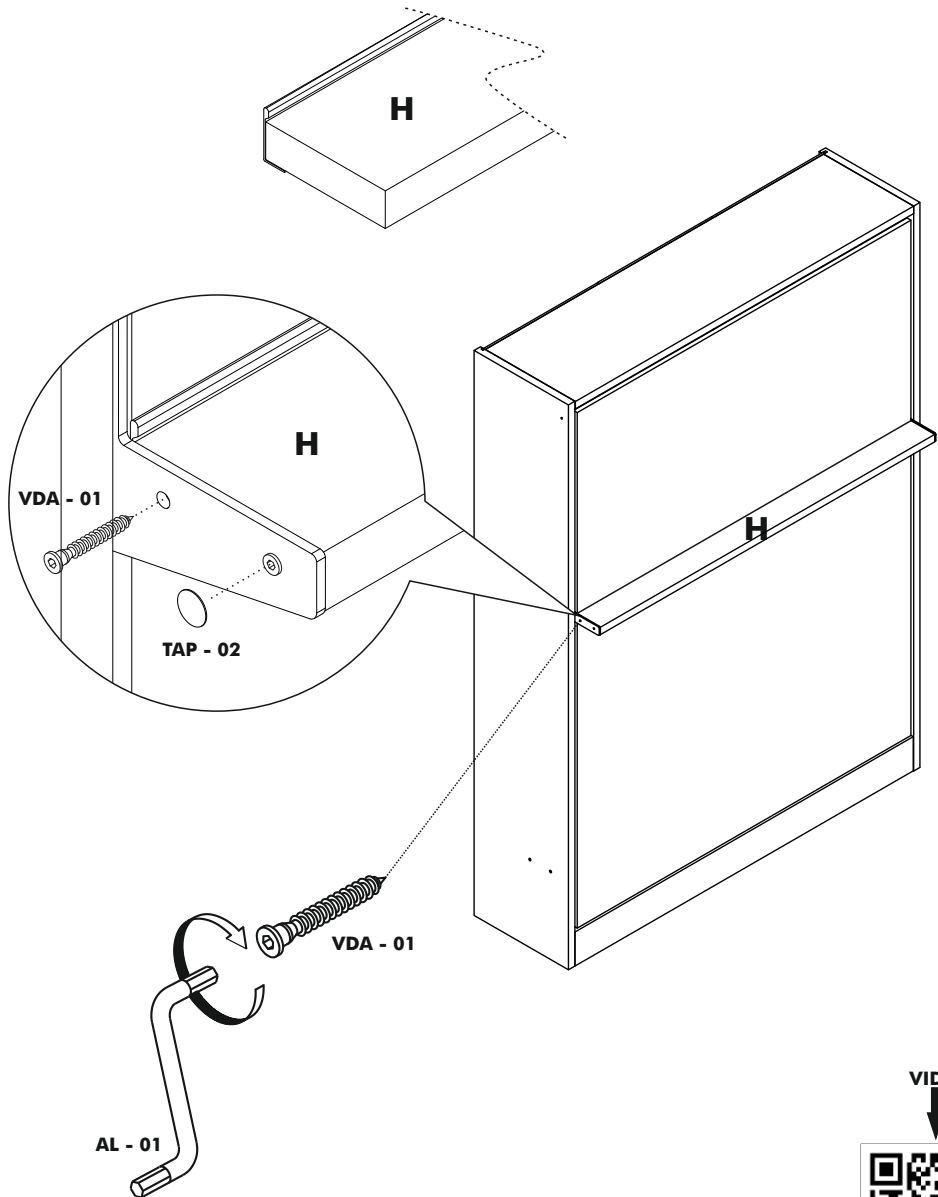
**STEP 13**



**STEP 14**



STEP 15

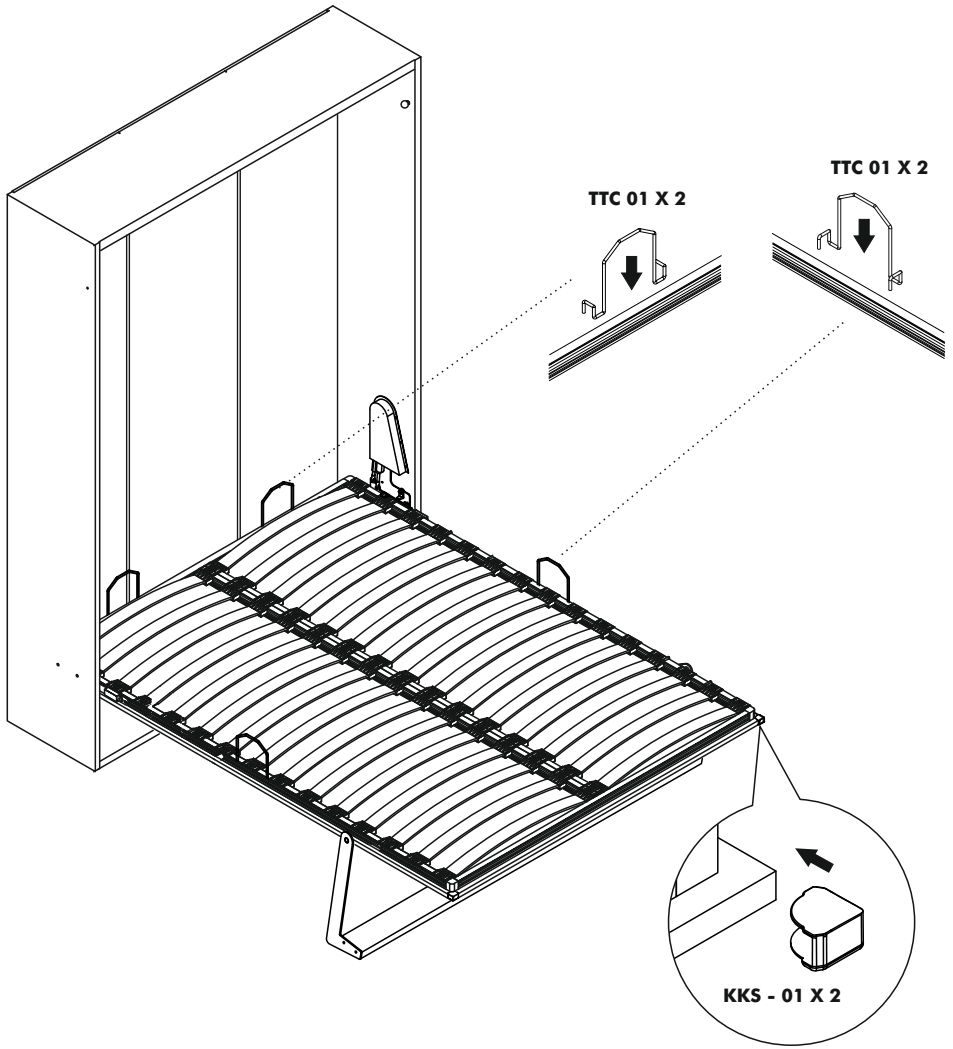


VIDEO



<https://youtu.be/TWE75nTOKbs>

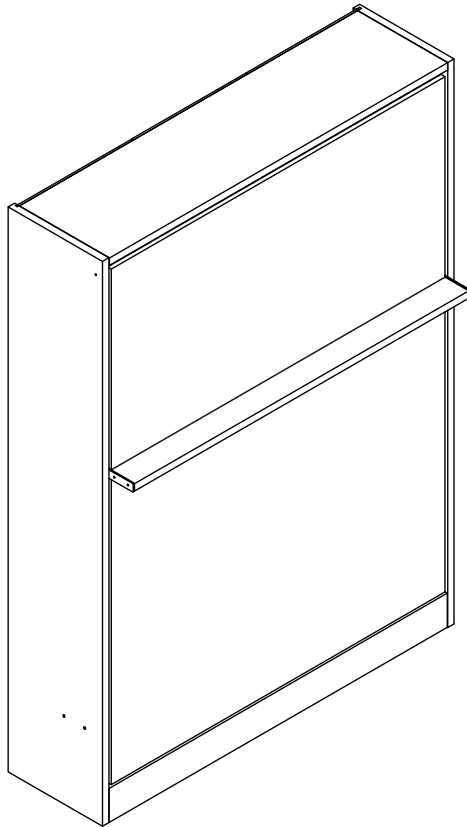
**STEP 16**



**VIDEO**



[https://youtu.be/O3\\_8r0bFFP8](https://youtu.be/O3_8r0bFFP8)



## ATTENTION / HOW TO / READ ME / OWNER'S GUIDE

1. When mounting on a regular drywall, furniture must be fastened to wood or metal studs. Solid walls made of brick, concrete or similar strong material are also acceptable. Do not mount furniture to paper-mache or sheet rock like material without properly attaching to stud.
2. For safety and product longevity you must periodically inspect the mounting and mechanical connections for integrity and tightness. Confirm hardware remains properly affixed and connections snug.
3. Wall Bed mattress thickness may not exceed 8 inch. Take care to remove pillows and excess blankets before closing. Doing so keeps mechanism free of obstruction and unnecessary stress.
4. Do not lean or rest heavy objects on side or top of furniture. This may cause balance issues and compromise the integrity of your mounting connections.
5. Please use the furniture's beds, desks and shelving as intended. Not designed to be sat, stood, leaned, jumped (etc) on. Improper use may cause personal injury and damage to property.
6. With seasonal humidity change you must inspect interior and exterior of furniture.
7. Single, Twin, Twin XL beds accommodate the weight of one person. Improperly sleeping more than one person risks injury to person and damage to property.
8. Before any un-mounting or disassembly please contact Multimo for technical support and instruction. Failure to properly detach risks injury to person and damage to property.
9. For Bunk Beds:
  - a. Always use provided ladder when accessing top bunk.
  - b. Be slow, careful and aware of surroundings when opening top bunk.
  - c. Do not horseplay. Beds are to be slept on only.
  - d. Some have legs that fully extend when open- be aware of where the leg is and will be.



**MULTiMO**

[www.multimo.com](http://www.multimo.com)